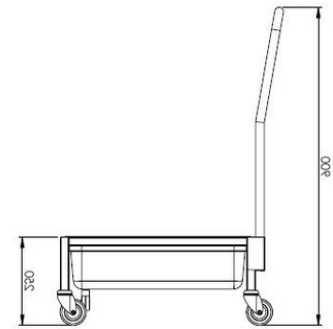
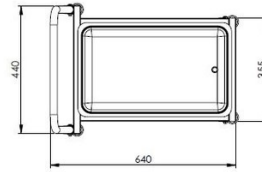


DRAINING CART SMALL 20 liters

Article 34020



Draining cart 20 liters. Equipped with removable handle, 4 castors 50 mm, ball valve, stainless canteen GN 1/1-150.

- Dimensions: 640x440x250 mm LxWxH.
- Handle height: 900 mm.
- Volume: 20 liters.
- Material: stainless steel (EN 1.4301).
- Made in Sweden.

ergofokus.se/eng



DRAINING CART LARGE 45 liters

Article 34010



Draining cart for kettles. Equipped with removable handle, 4 castors 125 mm, 2 with brake, drain grate, ball valve outlet pipe diameter 25 mm, hose 2000 mm.

- Dimensions inside: 560 x 560 x 150 mm LxWxH.
- Dimensions outside: 700x600x900 mm LxWxH.
- Container height: 400 mm.
- Handle height: 900 mm.
- Volume: 45 liters.
- Maximum load: 200 kg.
- Material: stainless steel (EN 1.4301).
- Made in Sweden.

ergofokus.se/eng

